



BALL RETAINER



嘉兴中达自润轴承工业有限公司
JIAXING COB BEARING INC.
嘉兴市中达上材轴承有限公司

钢球保持架

■ 结构

COB040 COB041 COB042钢球保持架是利用钢球滚动原理，配上铜基、铝基和树脂基为保持架，按一定的角度和密度有序地排列，钢球排列主要分为螺旋排列式和直线排列式。

■ 特点

1. 摩擦系数低；
2. 使用寿命长；
3. 运动精确性高；
4. 能进行直线和旋转运动；
5. 运动速度快。

■ 机械和物理性能

最大承载压力	30N/mm ²
装配过盈量	0.01mm~0.02mm
最高滑动速度	6m/s
摩擦系数	0.01~0.08 μ
滚动直径偏差	<0.002mm

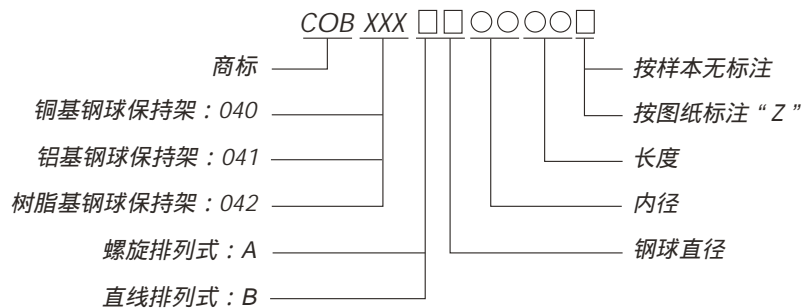
■ 应用场合

COB040 COB041 COB042 钢球保持架是传统导柱套的更新换代产品，能高速运动，主要用于高精度冲压模具，高精度机床等领域。

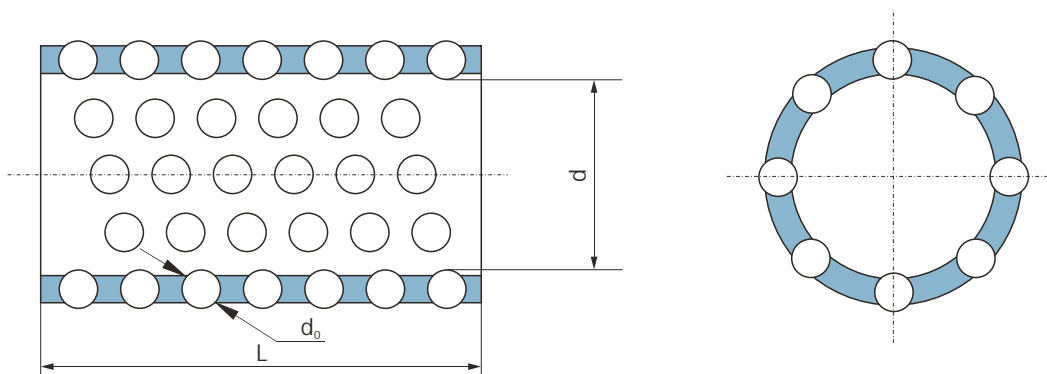
■ 相配材料

1. 导向套 材质：GCr15 硬度：HRC 62~66
测量：用传统的测量方法（外径千分尺，内径千分尺）分别测量座孔Dh，轴径df和钢球直径d₀，要求df+2d-Dh=0.01~0.02mm。
2. 轴 材质：GCr15 硬度：HRC 62~66 轴径公差：h5
3. 钢球 材质：GCr15 硬度：HRC 62~66 钢球外径公差：±0.001mm

■ 标注方式



螺旋排列式钢球保持架



Unit: mm

TYPE	d ₀	d	L	n
COB x x A 2.5 1040	2.5	18	40	72
COB x x A 3 1843			43	74
COB x x A 3 1850			50	90
COB x x A 3 1855			55	100
COB x x A 3 1860			60	112
COB x x A 3 1864			64	120
COB x x A 3 1876			76	146
COB x x A 3 1943			43	74
COB x x A 3 1950			50	90
COB x x A 3 1955			55	100
COB x x A 3 1960			60	112
COB x x A 3 2043			43	74
COB x x A 3 2050			50	90
COB x x A 3 2055			55	100
COB x x A 3 2060			60	112
COB x x A 3 2064			64	120
COB x x A 3 2075			75	144
COB x x A 3 2143			43	74
COB x x A 3 2150		50	90	
COB x x A 3 2155		55	100	
COB x x A 3 2160		60	112	
COB x x A 3 2165		65	122	
COB x x A 3 2250		50	90	
COB x x A 3 2255		55	100	
COB x x A 3 2260		60	112	
COB x x A 3 2264		64	120	
COB x x A 3 2270		70	132	
COB x x A 3 2360		60	112	
COB x x A 3 2460		60	112	
COB x x A 3 2465		65	122	
COB x x A 3 2470		70	132	
COB x x A 3 2475		75	144	
COB x x A 3 2480		80	154	
COB x x A 3 2548		48	86	
COB x x A 3 2550		50	90	
COB x x A 3 2555		55	100	
COB x x A 3 2560		60	112	
COB x x A 3 2564		64	120	
COB x x A 3 2575		75	144	
COB x x A 3 2576		76	146	
COB x x A 3 2580		80	154	
COB x x A 3 2585		85	164	
COB x x A 3 2660	60	112		
COB x x A 3 2665	65	122		

Unit: mm

TYPE	d ₀	d	L	n
COB x x x A 3 2670	3	26	70	132
COB x x x A 3 2680			80	154
COB x x x A 3 2685			85	164
COB x x x A 3 2775		27	75	144
COB x x x A 4 2860	4	28	60	108
COB x x x A 4 2864			64	118
COB x x x A 4 2875			75	142
COB x x x A 4 2876			76	144
COB x x x A 4 2884			84	160
COB x x x A 4 2890			90	174
COB x x x A 4 3053		30	53	94
COB x x x A 4 3060			60	108
COB x x x A 4 3065			65	120
COB x x x A 4 3070			70	130
COB x x x A 4 3075			75	140
COB x x x A 4 3080			80	152
COB x x x A 4 3085		31	85	162
COB x x x A 4 3140			40	66
COB x x x A 4 3150			50	88
COB x x x A 4 3160			60	108
COB x x x A 4 3175			75	142
COB x x x A 4 3185			85	162
COB x x x A 4 3250		32	50	88
COB x x x A 4 3253			53	94
COB x x x A 4 3260			60	108
COB x x x A 4 3270			70	130
COB x x x A 4 3275			75	140
COB x x x A 4 3276			76	142
COB x x x A 4 3284		34	84	160
COB x x x A 4 3285			85	162
COB x x x A 4 3290			90	174
COB x x x A 4 3295			95	184
COB x x x A 4 3470			70	130
COB x x x A 4 3475			75	142
COB x x x A 4 3480		35	80	152
COB x x x A 4 3490			90	174
COB x x x A 4 3495			95	184
COB x x x A 4 3570			70	130
COB x x x A 4 3576			76	144
COB x x x A 4 3584			84	160
COB x x x A 4 3590		36	90	174
COB x x x A 4 3595			95	184
COB x x x A 4 3680			80	152
COB x x x A 4 3685			85	162
COB x x x A 4 3690			90	174
COB x x x A 5 3795			5	37
COB x x x A 5 3868	38	68		124
COB x x x A 5 3870		70		128
COB x x x A 5 3875		75		138
COB x x x A 5 3880		80		150
COB x x x A 5 3885		85		160
COB x x x A 5 3890		90		172
COB x x x A 5 3895	95	182		
COB x x x A 5 4068	40	68		124
COB x x x A 5 4075		75		138
COB x x x A 5 4080		80		150
COB x x x A 5 4085		85		160
COB x x x A 5 4090		90		172
COB x x x A 5 4095		95		182

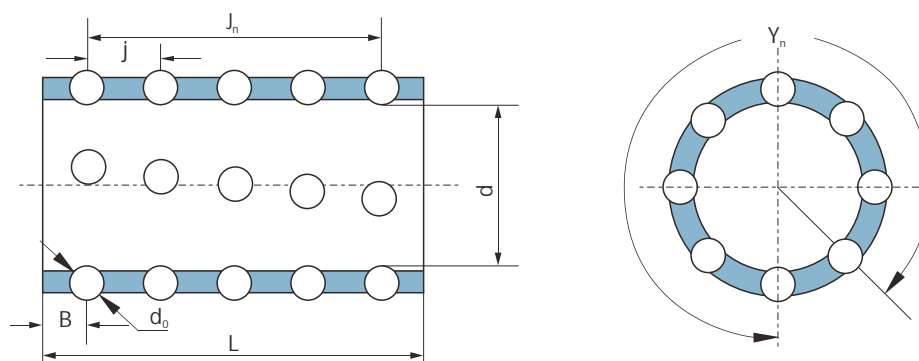
Unit: mm

TYPE	d ₀	d	L	n
COB x x x A 5 4270	5	42	70	128
COB x x x A 5 4275			75	138
COB x x x A 5 4280			80	150
COB x x x A 5 4285			85	160
COB x x x A 5 4290			90	172
COB x x x A 5 4295			95	182
COB x x x A 5 4573		45	73	134
COB x x x A 5 4580			80	150
COB x x x A 5 4585			85	160
COB x x x A 5 4590			90	172
COB x x x A 5 4595			95	182
COB x x x A 5 45100			100	192
COB x x x A 5 45110		110	214	
COB x x x A 5 4870		48	70	128
COB x x x A 5 4880			80	150
COB x x x A 5 4890			90	172
COB x x x A 5 4895			95	182
COB x x x A 5 5070		50	70	128
COB x x x A 5 5080			80	150
COB x x x A 5 5090			90	172
COB x x x A 5 5095			95	182
COB x x x A 5 50100			100	192
COB x x x A 5 50110			110	214
COB x x x A 5 5270		52	70	128
COB x x x A 5 5280			80	150
COB x x x A 5 5290			90	172
COB x x x A 5 5295			95	182
COB x x x A 5 5580		55	80	150
COB x x x A 5 5590			90	172
COB x x x A 5 55100			100	192
COB x x x A 5 56106		56	106	206
COB x x x A 5 5880		58	80	150
COB x x x A 5 5890			90	172
COB x x x A 5 58100			100	192
COB x x x A 5 6080		60	80	150
COB x x x A 5 6090			90	172
COB x x x A 5 60100			100	192
COB x x x A 5 60110			110	214
COB x x x A 5 7090		70	90	170
COB x x x A 5 7095			95	182
COB x x x A 5 70100			100	192
COB x x x A 5 70110			110	214
COB x x x A 5 7590	75	90	172	
COB x x x A 5 7595		95	182	
COB x x x A 5 75100		100	192	
COB x x x A 5 75110		110	214	
COB x x x A 5 8090	80	90	172	
COB x x x A 5 80100		100	192	
COB x x x A 5 80110		110	214	
COB x x x A 5 80120		120	236	
COB x x x A 5 80125		125	246	
COB x x x A 5 80130		130	258	
COB x x x A 5 8590	85	90	172	
COB x x x A 5 85100		100	192	
COB x x x A 5 85110		110	214	
COB x x x A 5 85120		120	236	
COB x x x A 5 90100	90	100	192	
COB x x x A 5 90110		110	214	
COB x x x A 5 90120		120	236	

Unit: mm

TYPE	d_0	d	L	n
COB x x x A 5 90130	5	90	130	258
COB x x x A 5 90140			140	278
COB x x x A 5 95120		95	120	236
COB x x x A 5 100100			100	192
COB x x x A 5 100110		100	110	214
COB x x x A 5 100120			120	236
COB x x x A 5 100130			130	258
COB x x x A 5 100140			140	278
COB x x x A 5 100150			150	290

直线排布钢球保持架



Unit: mm

TYPE	d_0	d	L	Y_n	J_n	n	j	B	
COB x x x B 3 1950	3	19	50	12	8	96	5.5	5.75	
COB x x x B 3 1960			60		10	120		5.25	
COB x x x B 3 2050		20	50		8	96		5.75	
COB x x x B 3 2060			60		10	120		5.25	
COB x x x B 3 2250		22	50	14	8	112	5.75		
COB x x x B 3 2260			60		10	140	5.25		
COB x x x B 3 2360		23	60	14	10	140	5.25		
COB x x x B 3 2475					24	75		13	208
COB x x x B 3 2550		25	50	16	8	128	5.5	5.75	
COB x x x B 3 2560					60	10		160	5.25
COB x x x B 3 2575			75		75	13	208	5.45	4.8
COB x x x B 3 2775						13	208		
COB x x x B 4 2860	4	28	60	14	8	112	6.5	7.25	
COB x x x B 4 2875			75		11	154		5.0	
COB x x x B 4 3060		30	60		8	112		7.25	
COB x x x B 4 3075			75		11	154		5.0	
COB x x x B 4 3260		32	60	16	8	128	6.5	7.25	
COB x x x B 4 3275			75		11	176		5.0	
COB x x x B 4 3290		90	90		13	208	6.0		
COB x x x B 4 3685					36	85	12	192	6.75
COB x x x B 4 3690		90	13	208		6.0			
COB x x x B 5 3870		5	38	70	18	8	128	8.0	7.0
COB x x x B 5 3890				90		11	176		7.9
COB x x x B 5 4090			40	90		11	176		
COB x x x B 5 4590	45					90	11	198	
COB x x x B 5 45110			110	13	234		8.0	7.0	
COB x x x B 5 5090	50		90	20	11	220	7.9	5.5	
COB x x x B 5 50110					110	13	260	8.0	7.0
COB x x x B 5 6090	60		90	22	11	242	7.9	5.5	
COB x x x B 5 60110					110	13			286
COB x x x B 5 80130	80		130	28	15	420	8.0	9.0	

嘉兴中达自润轴承工业有限公司
JIAXING COB BEARING INC.

嘉兴市中达上材轴承有限公司

浙江省嘉兴经济开发区正原路729号(314003)

No.729 Zhengyuan Road,
Jiaxing Economic Development Zone,
Zhejiang,(314003) P.R. China

Phone: 0086 573 222 1111

Fax: 0086 573 222 3333

E-mail: cob@cob-bearing.com

Web Site: www.cob-bearing.com